

Planning Guide - Cooktops

Measurements that are off even slightly can cost you more money and create hassle. We recommend measuring twice before making a purchase.



warnersstellian.com



An appliance returned because it will not fit or if it's the incorrect fuel type will incur a delivery fee and possibly a restocking fee. For questions or concerns about dimensions, please contact your sales associate.

Need help measuring? Our in-home premeasuring service is only \$99.99.

What is the current brand and approximate year of your cooktop? _____

Have you been happy with it's performance?

Yes No

Double check. Don't double pay.

Use this checklist as a guide to measuring the area.

Measure the depth of the hole in the countertop on the right and left sides.

Depth right _____ inches

Depth left _____ inches

Measure the width of the hole in the countertop in the front and back.

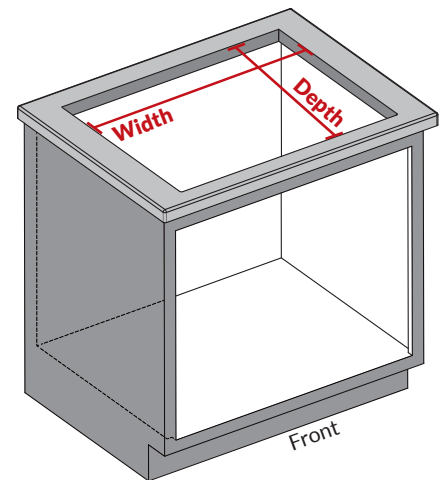
Depth right _____ inches

Depth left _____ inches

Is there a separate downdraft unit?

If there is a separate downdraft unit, please see the back page for dimensions.

Yes No



What is the distance from the underside of the countertop to the top of the nearest object like a drawer or shelf?

Distance _____ inches

Are there drawers or a wall oven underneath the cooktop?

None Drawers Wall oven

Other _____

Do you have hard surface countertops or formica?

Hard surface Formica

For gas cooktops, is there an accessible 3-prong outlet?

Yes No

If changing to induction, do you have a qualifying amp 220v outlet?

Yes Amp _____ No

If you have a gas cooktop, is the gas line black steel, copper or corrugated stainless steel with an accessible shutoff valve and up to code?

Yes No

We may not be able to install your cooktop if the gas pipe or shutoff valve is not up to code. Our team of technicians can get your (lines/valves) up to code. Additional charges apply.



Take pictures of your current cooktop or the space it will be installed including the front side of the cabinet. If possible, please take a photo of the inside of the cabinets under the cooktop.

Specialty cooktops

There are additional measurements needed if your current cooktop is a downdraft or rangetop model.

Downdraft models:

Measure your under cabinet space for a blower below the opening. Please supply your salesperson with a picture.

Length _____ inches

Width _____ inches

Depth _____ inches

Is your vent round, rectangular or recirculating (no external vent)?

Circle

Rectangle

Recirculating

Rangetop models:

Measure the height of the cabinet area where the rangetop is located.

Height _____ inches

Is there island trim?

Yes No

Is there a backsplash?

Yes No

Is there a backsplash with a high shelf?

Yes No

Arrival of your new cooktop

Our delivery teams will ensure your experience was pleasant when your cooktop arrives.

- Our delivery teams are insured and qualified.
- We will provide you with a two-hour arrival estimate the evening prior to delivery.
- If requested, our drivers can call you 30 minutes ahead of arrival.
- The delivery team will provide crated delivery service only for built-in appliances like cooktops.
- The delivery team will haul away your old cooktop if it has been removed prior to the delivery and has been pre-arranged.
- Our installation team is available for a professional installation of your new cooktop if you purchase the service. Please see a salesperson for details about this option.
- Optional installation includes the connection and testing of you new electric/gas cooktop.
- Optional installation includes removal and haul away of your old cooktop.